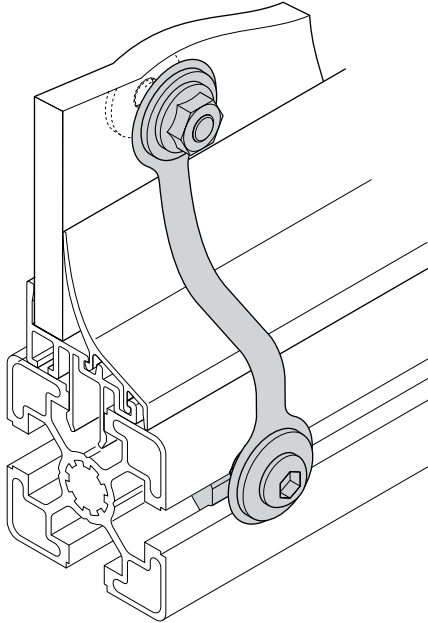


Potential equalizer



00125990



- To establish a defined electrostatic conduction between surface elements and strut profiles

Potential equalizer

ESD



No.



10

3 842 536 148

Material: strip steel, non-rusting fastening material: steel;
galvanized

Scope of delivery: Incl. fastening material